

*For sale in Canada only

MODEL

HRIW-45 T4F



60Hz MOBILE/PRIME/STANDBY POWER RATINGS kW (kVA)

36kW/600V/60Hz/Mobile/1800RPM



| VOLTAGE VAC | 120/240V | | 120/208V | | 139/240V | | 277/480V | | 347/600V** | |
|----------------------------|----------|---------|----------|---------|----------|---------|----------|---------|------------|---------|
| RATING | Prime | Standby | Prime | Standby | Prime | Standby | Prime | Standby | Prime | Standby |
| PHASE | 1 | | 3 | | 3 | | 3 | | 3 | |
| PF | 1.0 | | 0.8 | | 0.8 | | 0.8 | | 0.8 | |
| HZ | 60 | | 60 | | 60 | | 60 | | 60 | |
| KW | N/A | N/A | N/A | N/A | N/A | N/A | N/A | N/A | 36 | 40 |
| KVA | N/A | N/A | N/A | N/A | N/A | N/A | N/A | N/A | 45 | 50 |
| AMPS | N/A | N/A | N/A | N/A | N/A | N/A | N/A | N/A | 43 | 54 |
| SKVA@30% VOLTAGE DIP | N/A | | N/A | | N/A | | N/A | | 195 | |

Description

HIPOWER® Mobile generators are an efficient, reliable and versatile source of mobile electrical power. Designed to operate in the most extreme working conditions. All HIPOWER® Mobile Generators combine an innovative design and the use of high quality materials that provide the user with the most dependable power that you can rely on for non-stop power with easy to operate controls.

Powered by a radiator-cooled, industrial ISUZU Diesel engine, which meets current Environmental Protection Agency (EPA) TIER 4 Final non-road exhaust emission regulations, driving a single bearing, four-pole, three-phase alternator, with IP23 protection. The Prime Power kVA rating for generator set is given with a 105 degree °C alternator winding temperature rise.

HIPOWER® Features and Benefits

ISUZU Diesel Engine: Long-life, heavy-duty, 4-cycle, direct injection engine for economy of operation and maximum reliability and durability. Capable of full rated load acceptance in one step.

Cooling: Radiator with belt driven pusher fan.

Air Filter: Heavy-duty replaceable element air-cleaner.

Alternator: Single bearing, rotating field, self-excited, self-ventilated, 12-wire, 60Hz brushless alternator with permanent magnet generator (PMG), with Class F insulation. Automatic voltage regulator (AVR) providing close voltage regulation and skVA starting capability for electric motor loads.

Certification: ISO 8528-5.

HIPOWER® Features and Benefits

Fuel Tank: Environmentally friendly steel base welded sub-base fuel tank with internal filling system and 110% containment capability for any diesel fuel, coolant or engine oil spills. Easy access for maintenance activities.

Enclosure: Fully sound attenuated enclosure, fabricated in 11-gauge steel, powder coated with finish that exceeds 1000-hr salt spray test, curved edges, minimum outside fasteners and single point lift. Ample layer of durable Rockwool sound insulating material placed all around the inside of the container, doors and ducting with metal retaining frames. It can be cleaned with high-pressure water and is oil and fire resistant. Vertical air discharge for quiet operation. Wide steel lockable access doors with rubber seals, easy access for maintenance and service activities, lift off stainless steel hinges, corrosion resistant hardware and fasteners.

Exhaust: Low noise, steel residential-type exhaust silencer with rain cap.

Fuel Filtration: Standard and secondary water separator with visible level on fuel filters

Controls: Digital control panel with manual and automatic start and stop features. Many programmable automatic functions for local and remote controls with LED lights, tamper proof engine hour recorder. Load Connections: Covered distribution panel for easy access to lugs and camlocks.

APPLICATION DATA

| ENGINE SPECIFICATION | |
|---|--|
| Manufacturer | ISUZU |
| Model | 4LE2X |
| EPA certified | Tier 4 FINAL |
| Crankshaft speed | 1,800 rpm |
| Type | Diesel, 4-stroke |
| Injection | Direct |
| Aspiration | Turbocharged |
| Number of Cylinders | 4 |
| Cylinder arrangement | In-line |
| Displacement CID (liters) | 133 (2.2) |
| Bore and Stroke ins (mm) | 3.3x3.7 (85X 96) |
| Nominal power | 66 hp |
| Cooling | Liquid |
| Governor | Electronic |
| Governor Regulation Class | ISO 8528 Part 1 Class G3 |
| Frequency Regulation | Isochronous |
| Starting motor & alternator | 12 volt |
| Compression ratio | 17.6:1 |
| Air cleaner type | Heavy duty - single cartridge |
| Exhaust gas flow cu. ft./minute (cu.m. /minute) | 191(5.4) |
| Max. Exhaust temp at full load degrees °F (°C) | 896 (480) |
| Max. permissible back pressure - ins H2O (kPA) | 32.1 (8.03) |
| COOLING SYSTEM | |
| Engine cooling air flow - cu. ft./min (cu. m/min) | 95.8 (2.71) |
| Alternator cooling flow - cu. ft./min (cu. m/min) | 251 (7.05) |
| Total cooling air flow (engine + alternator + combustion) - cu. ft./min (cu. m/min) | 1366 (38) |
| Total cooling capacity - US gallons (liters) | 3.8 (14.1) |
| Max. Operating Temperature °F (°C) | 122 (50) |
| LUBRICATION SYSTEM | |
| Oil pan capacity - US gallons (liters) | 2.25 (8.39) |
| Oil pan capacity with filter - US gallons (liters) | 2.75 (10.3) |
| Oil cooler | Liquid |
| Recommended lubricating oil grade | SAE 10W-40 conventional DH4 (refer to owners manual) |
| Oil consumption at full load | < 0.1% of fuel consumption |
| Oil pressure – psi (kPA) | 65 (450) |
| ENGINE ELECTRICAL SYSTEM | |
| Starting motor voltage | 12 volt |
| Cold Cranking Amps - minimum | 53 Amp |
| Battery charging Alternator | 110 Amp |
| Battery capacity | 650 Amps |

HIMOINSA POWER SYSTEMS, INC.

16600 S. Theden Street, Olathe, KS 66062

Tel: 913 495 5557 | Fax: 913 495 5575 www.hipowersystems.com

Codes and Standards Compliances used where applicable



APPLICATION DATA

FUEL SYSTEM

| | |
|-------------------------------------|--------------------------------------|
| Recommended fuel | # 2 - ULSD |
| Fuel supply line, min. ID mm(in.) | 9.5 - (3/8") |
| Fuel return line, min. ID, mm (in.) | 9.5 - (3/8") |
| Max. lift, fuel pump, type, m (ft) | TBD |
| Fuel filter | Secondary 8 Microns @ 98% Efficiency |

| FUEL COMPSUNTION | Standby Power Rating | Prime Power Rating |
|-------------------------------------|----------------------|--------------------|
| 100% load – US gallons/hour | TBD | 3.3 (12.4) |
| 75% load - US gallons/hour | TBD | 2.5 (9.4) |
| 50% load - US gallons/hour | TBD | 1.7 (6.4) |
| 25% load - US gallons/hour (liters) | TBD | 0.8 (3.1) |

ALTERNATOR SPECIFICATION

| | |
|--|---|
| Manufacturer | STAMFORD |
| Model | UCI 224 D with PMG |
| Voltages | 347/600V |
| Alternator Type | Four pole, rotating field |
| Excitation System | Brushless. PMG-excited |
| Power factor | 0.8 |
| Number of leads | 12 leads |
| Stator Pitch | 2/3 |
| Insulation | Class H |
| Windings – Temperature Rise | Class F (105/40° C) |
| Enclosure (IEC-34-S) | IP23 |
| Bearing | Single, sealed |
| Coupling | Flexible disc |
| Amortisseur windings | Full |
| Voltage regulation – no load to full load with MX341 AVR | ± 1% |
| TIF | <50 |
| Radio Frequency Emissions compliance | Meets requirements of most industrial and commercial applications |
| Line harmonics | 5% maximum |

STANDARD ACCESSORIES

| | |
|--|--|
| • Air Filter Restriction Indicator | • Rheostat- Potentiometer on the front panel |
| • Leakage Detection Sensor | • Low Coolant Level Sensor |
| • Battery Switch | • Shunt Trip on MLCB |
| • Crankcase Ventilation Filter | • PMG Excitation on Alternator |
| • Coolant Drain Extention | • Leakage Detector Sensor |
| • Extended Maintenance Interval up to 500 Hrs. | • Leak Proof Tray |

OPTIONAL ACCESSORIES

| | |
|---|------------------------|
| • Battery Blanket | • Water Jacket Heater |
| • Hydronic heater (5 kw) | • Control Panel Heater |
| • Lojack transmitter, Installed | • Oil Pan Heater |
| • 6 Amp - 10 Amp battery charger, 12/24V, UL Listed | • 3-Way Fuel valve |

• Distribution power panel - (Camlocks connections)
 1 set 400A single pin Camlocks rated 400A with snap covers; color coded Camlocks 3 - 5W black, red blue, white & green; pad lockable 1/4 turn door access with cable trap; auxiliary bus bars with mechanical lugs; 1 single barrel lug per phase; mechanical lugs up to 250MCM cable.

HIMOINSA POWER SYSTEMS, INC.

16600 S. Theden Street, Olathe, KS 66062

Tel: 913 495 5557 | Fax: 913 495 5575 www.hipowersystems.com

Codes and Standards Compliances used where applicable



CONTROL SYSTEMS STANDARD FEATURES - Generator Digital Control Panel

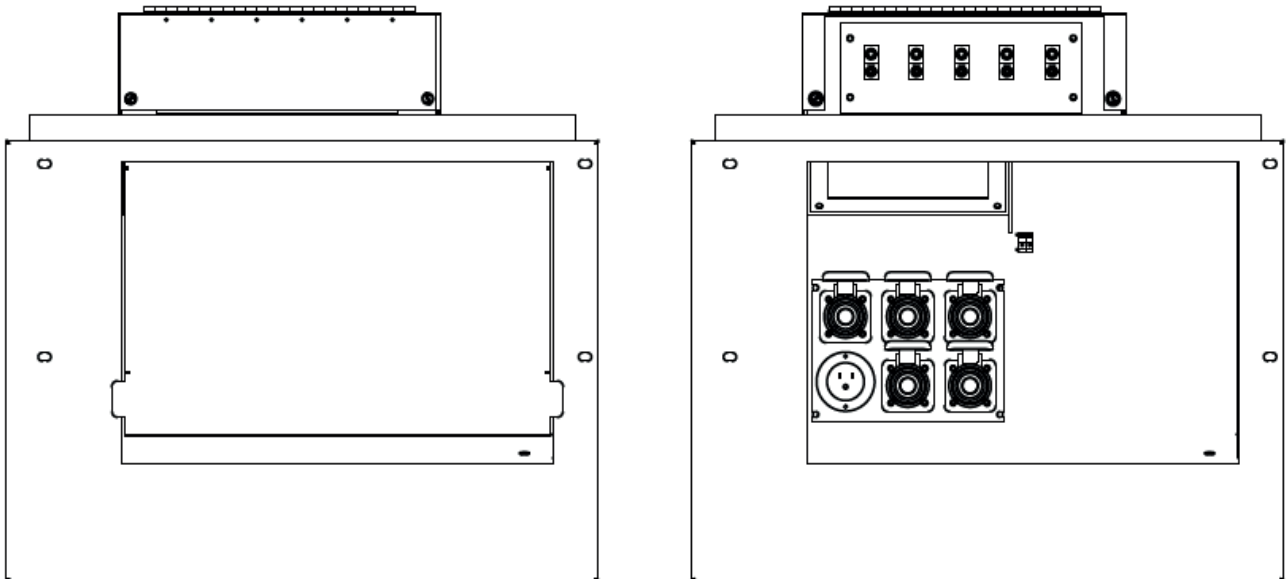
HIPOWER® COMAP IntelliLite NT Control Panel: The IntelliLite NT digital control panel is back-lit with icon LCD text display, and is PC configurable. IntelliLite NT is a comprehensive controller for single gen-sets operating in Standby or Prime modes. Compact construction is optimized for these purposes and various modifications allow customers to select the optimum operation mode for a particular application.

Engine alarms included: High coolant temperature, low oil pressure, low coolant level, unexpected shutdown, low fuel level, stop failure, low battery voltage, battery charging alternator failure, over-speed, under-speed, start failure and emergency stop. Support of engines with ECU (J1939, Modbus and other proprietary interfaces); alarm codes displayed in text form.



Alternator alarms included: Overload, unbalanced voltage, over voltage, under voltage, over frequency, under frequency, short circuit, reverse power, and incorrect phase sequence.

DISTRIBUTION PANEL VIEW



* Camlocks displayed are an optional feature.

HIMOinsa POWER SYSTEMS, INC.

16600 S. Theden Street, Olathe, KS 66062

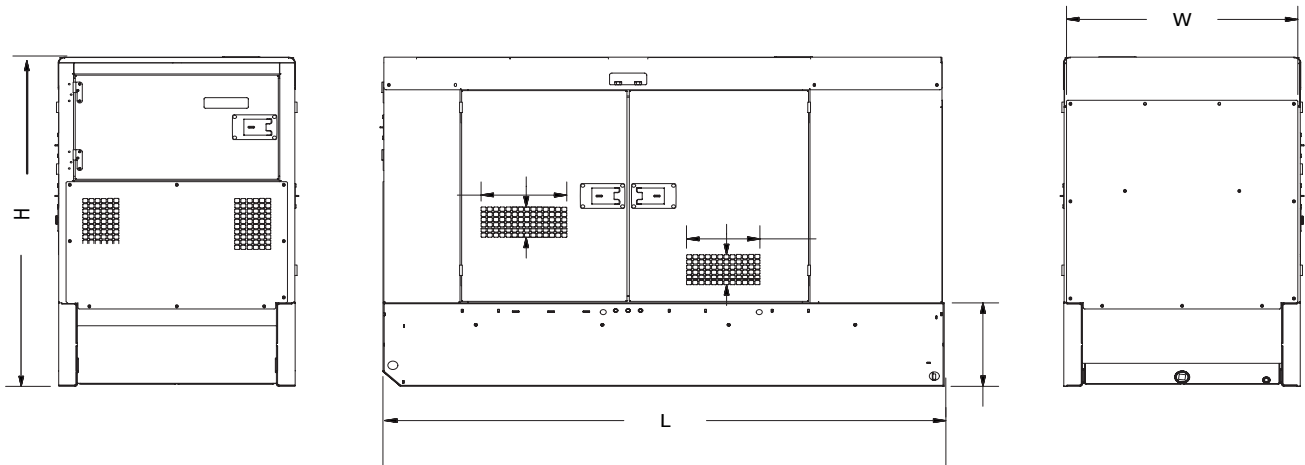
Tel: 913 495 5557 | Fax: 913 495 5575 www.hipowersystems.com

Codes and Standards Compliances used where applicable



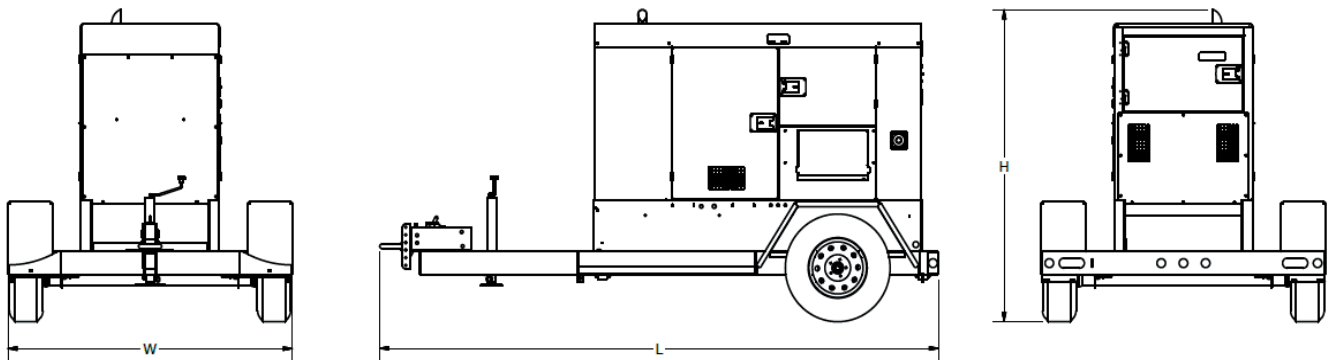
DIMENSIONS, WEIGHTS & SOUND LEVELS

ENCLOSED SET



| CONFIGURATION | Fuel Tank Data (base option) | | Generator Data * | | | | |
|---------------|------------------------------|-----------------|------------------|-----------|------------|------------|-----|
| | Run Time Hours | Capacity (Gals) | L = Length | W = Width | H = Height | Weight lbs | dBA |
| Enclosed Set | 25 | 80 | 88.6" | 37.4" | 62.1" | 2,400 | 65 |

ENCLOSED SET WITH TRAILER



| CONFIGURATION | Fuel Tank Data (base option) | | Generator Data * | | | | |
|---------------------------|------------------------------|-----------------|------------------|-----------|------------|------------|-----|
| | Run Time Hours | Capacity (Gals) | L = Length | W = Width | H = Height | Weight lbs | dBA |
| Enclosed Set with Trailer | 25 | 80 | 146.0 | 70.0 | 80.0 | 2,828 | 65 |

* All measurements are approximate and for estimation purposes only. Weights are without fuel tank. Sound levels measured at 23ft (7m) and does not account for ambient site conditions.

HIMOINSA POWER SYSTEMS, INC.

16600 S. Theden Street, Olathe, KS 66062

Tel: 913 495 5557 | Fax: 913 495 5575 www.hipowersystems.com

Codes and Standards Compliances used where applicable

