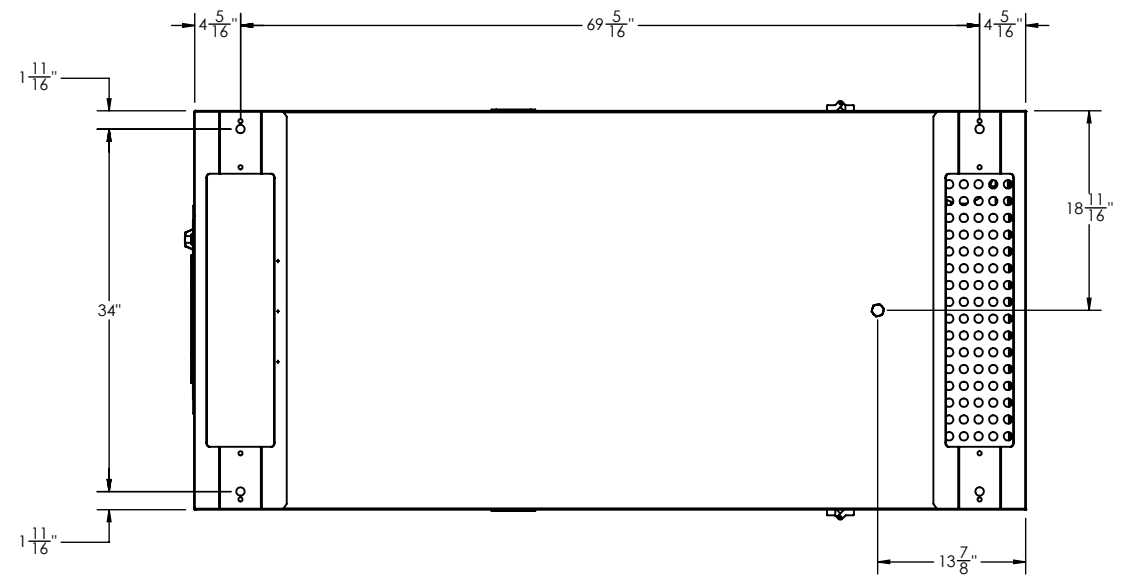
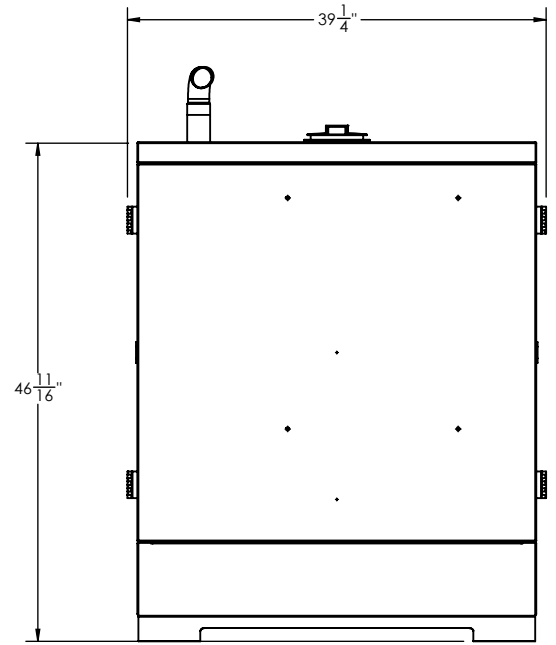
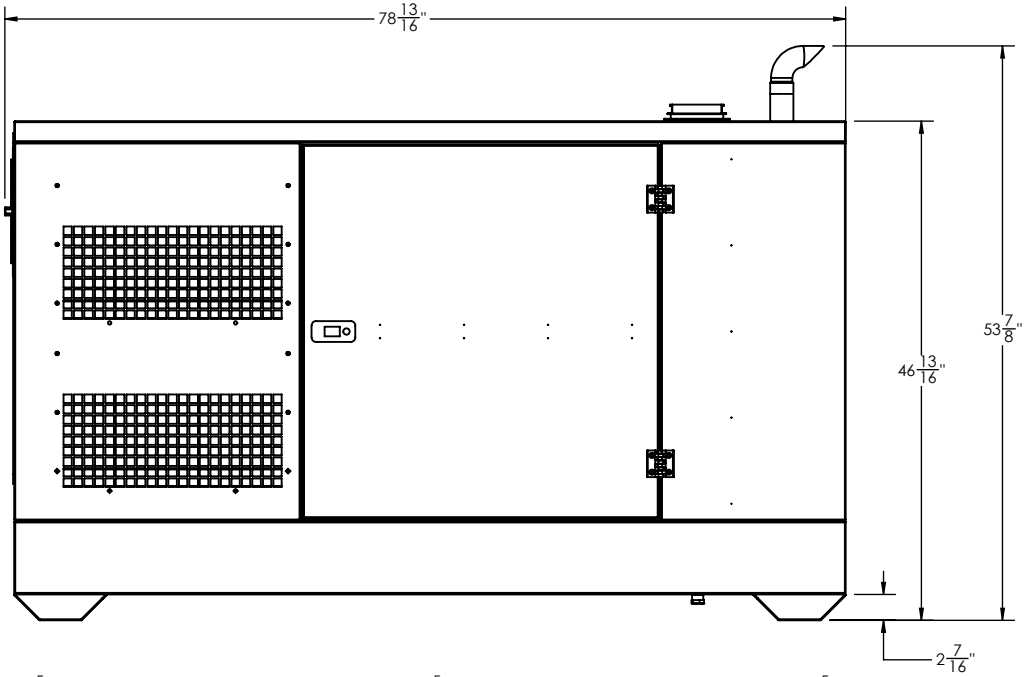
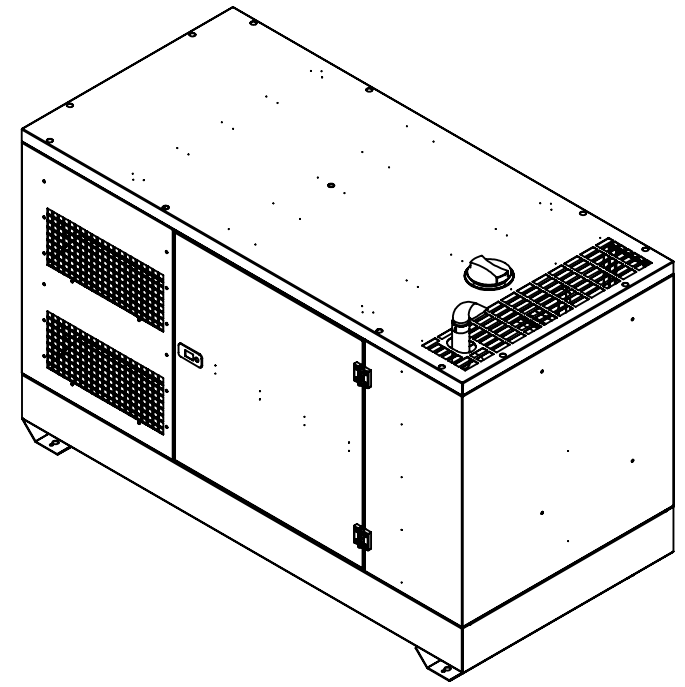
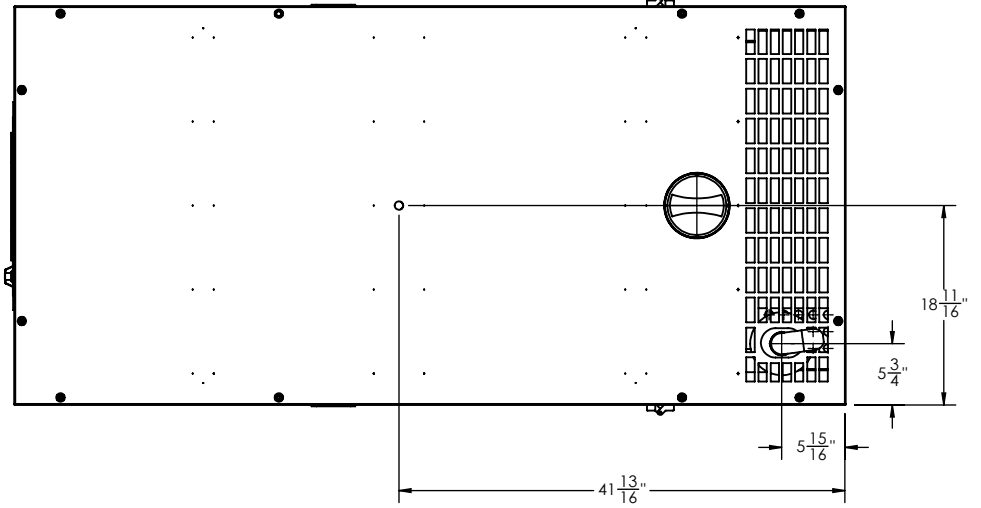


4

3

2

1



NOTES:  
 ALL MEASUREMENTS ARE IN INCHES  
 REMOVE ALL BURRS AND SHARP EDGES

**PROPRIETARY AND CONFIDENTIAL**

THE INFORMATION CONTAINED IN THIS DRAWING IS THE SOLE PROPERTY OF M&L ENGINE, LLC. ANY REPRODUCTION IN PART OR AS A WHOLE WITHOUT THE WRITTEN PERMISSION OF M&L ENGINE, LLC IS PROHIBITED.

UNLESS OTHERWISE SPECIFIED DIMENSIONS ARE IN INCHES

MATERIAL STEEL

FINISH BLACK COATING

DO NOT SCALE DRAWING

	NAME	DATE
DRAWN	JPB	7/21/2022
CHECKED		
ENG APPR.		
MFG APPR.		
Q.A.		

TITLE:  
**ML23IERD-EP-T4**  
**OVER ALL DIMENSIONS**

SIZE	DWG. NO.	REV
<b>B</b>		
SCALE: 1:18		SHEET 1 OF 1

4

3

2

1

B

B

A

A