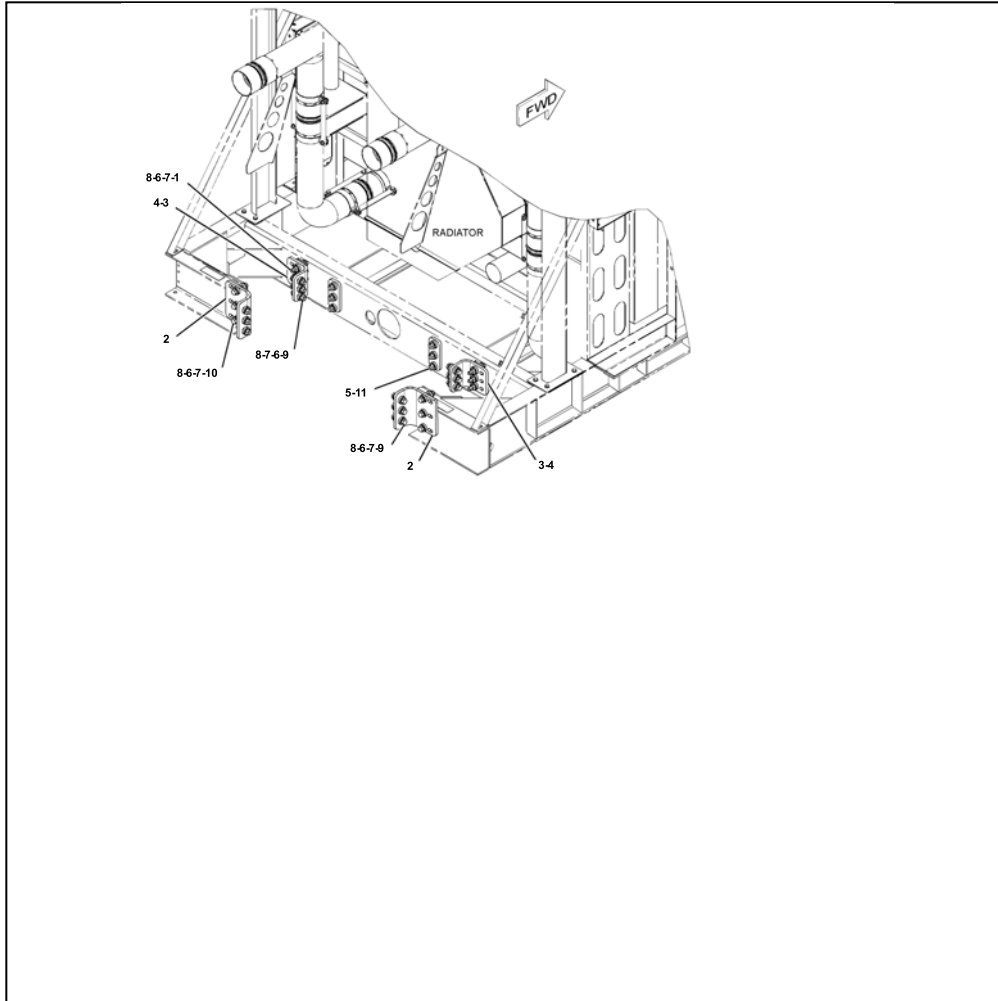


## Service Information System

Product: GENERATOR SET  
Model: 3512B GENERATOR SET ZAH  
Configuration: 3512B Generator Set ZAH00001-UP



GRAPHIC #1  
g02515756

**3512B Generator Set****Media Number - SEBP4051-40 | Publication Date - 2020-01-11 | Date****Updated - 2020-04-11**

i05385872

**286-2444 MOUNTING GP-RADIATOR  
S/N ZAH1-UP  
PART OF 257-8763 RADIATOR GP  
AN ATTACHMENT**

**ENTIRE GROUP**

| Ref. Qty.                | NPR Note   | Part No. | Part Name            |
|--------------------------|------------|----------|----------------------|
| Grp <input type="text"/> | <u>NPR</u> | 286-2444 | MOUNTING GP-RADIATOR |

**INDIVIDUAL PARTS**

| Ref. Qty.            | NPR Note   | Part No. | Req. Qty. | Part Name                      |
|----------------------|------------|----------|-----------|--------------------------------|
| 1                    | <u>NPR</u> | 251-5715 | 6         | BOLT (3/4-10X4.25-IN)          |
| 2                    | <u>NPR</u> | 286-2445 | 2         | PLATE                          |
| 3                    | <u>NPR</u> | 289-0222 | 2         | PLATE                          |
| 4                    | <u>NPR</u> | 289-0223 | 2         | PLATE                          |
| 5                    | <u>NPR</u> | 289-0272 | 6         | BOLT (3/4-10X5-IN)             |
| 6                    | <u>NPR</u> | 267-3507 | 54        | WASHER-HARD (26X47X12-MM THK)  |
| 7                    | <u>NPR</u> | 7X-0582  | 54        | WASHER-HARD (20X44.5X6-MM THK) |
| 8                    | <u>NPR</u> | 6V-8182  | 24        | NUT (3/4-10-THD)               |
| 9                    | <u>NPR</u> | 7X-0369  | 12        | BOLT (3/4-10X3.25-IN)          |
| 10                   | <u>NPR</u> | 7X-0371  | 6         | BOLT (3/4-10X3.75-IN)          |
| 11                   | <u>NPR</u> | 366-9470 | 2         | PLATE AS<br>(EACH INCLUDES)    |
| <input type="text"/> | <u>NPR</u> | 8J-7236  | 3         | NUT-WELD (3/4-10-THD)          |