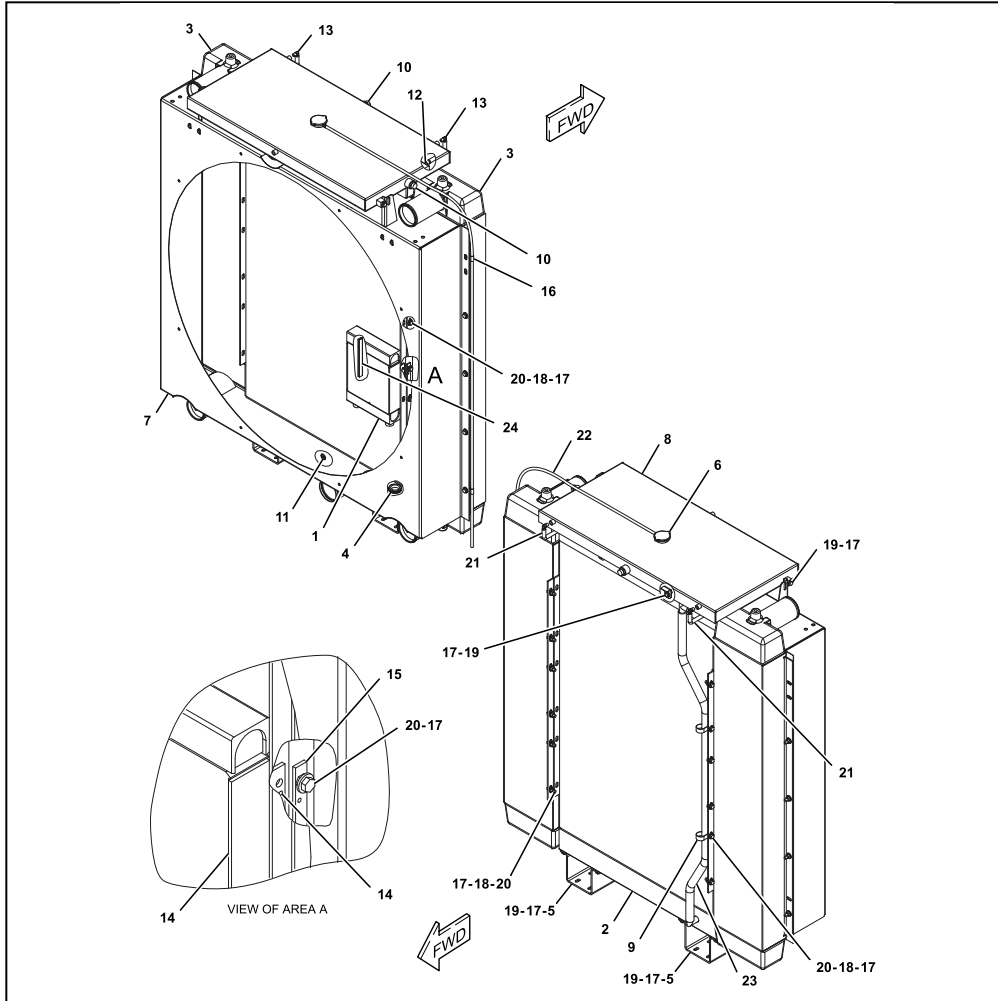


Service Information System

Product: NO EQUIPMENT SELECTED
Model: NO EQUIPMENT SELECTED
Configuration: NO EQUIPMENT SELECTED



GRAPHIC #1
g03605896

C27 Generator Set, Powered By C27 Engine

Media Number - SEBP4500-38 | Publication Date - 2020-01-08 | Date Updated - 2020-13-08

287-4797 RADIATOR & AFTERCOOLER GP**S/N DWB1-UP****PART OF 291-0151 RADIATOR & FAN GP, 298-4647 RADIATOR GP****Type 2****AN ATTACHMENT****ENTIRE GROUP**

Ref. Qty.	NPR Note	Part No.	Part Name
Grp <input type="text"/>	<u>NPR</u>	287-4797	RADIATOR & AFTERCOOLER GP

INDIVIDUAL PARTS

Ref. Qty.	NPR Note	Part No.	Req. Qty.	Part Name
1	<input type="text"/>	<u>NPR</u>	287-4781	1 COOLER GP-FUEL
2	<input type="text"/>	<u>NPR</u>	287-4782	1 RADIATOR AS
3	<input type="text"/>	<u>NPR</u>	287-4783	2 AFTERCOOLER
4	<input type="text"/>	<u>NPR</u>	287-4784	2 GROMMET
5	<input type="text"/>	<u>NPR</u>	287-4785	2 SUPPORT
6	<input type="text"/>	<u>NPR</u>	287-4786	1 CAP-PRESSURE VALVE (RADIATOR)
7	<input type="text"/>	<u>NPR</u>	287-4787	1 SHROUD AS
8	<input type="text"/>	<u>NPR</u>	287-4788	1 TANK
9	<input type="text"/>	<u>NPR</u>	287-4789	2 CLIP
10	<input type="text"/>	<u>NPR</u>	287-4790	2 GAUGE-SIGHT
11	<input type="text"/>	<u>NPR</u>	287-4793	1 PLUG-PIPE
12	<input type="text"/>	<u>NPR</u>	287-4794	2 ADAPTER
13	<input type="text"/>	<u>NPR</u>	287-4795	2 ELBOW
14	<input type="text"/>	<u>NPR</u>	448-8117	2 RIVET
15	<input type="text"/>	<u>NPR</u>	288-5165	1 PLATE AS
	<input type="text"/>	<u>NPR M</u>	8T-4133	2 NUT (M10X1.5-THD)
16	<input type="text"/>	<u>NPR</u>	6S-5993	2 CLIP
17	<input type="text"/>	<u>NPR C</u>	7X-7729	74 WASHER (11X25X3-MM THK)
18	<input type="text"/>	<u>NPR CM</u>	8T-4133	30 NUT (M10X1.5-THD)
19	<input type="text"/>	<u>NPR M</u>	8T-4136	12 BOLT (M10X1.5X25-MM)
20	<input type="text"/>	<u>NPR CM</u>	8T-4196	32 BOLT (M10X1.5X35-MM)
21	<input type="text"/>	<u>NPR E</u>	287-4792	HOSE (31-CM EACH)

22	<input type="text"/>	<u>NPR</u> E	287-4796	HOSE (246-CM)
23	<input type="text"/>	<u>NPR</u> E	287-4791	HOSE (308-CM)
24	<input type="text"/>	<u>NPR</u> E	288-5166	SEAL (20-CM)

Key:

C - CHANGE FROM PREVIOUS TYPE

E - ORDER BY THE CENTIMETER

M - METRIC PART